

# Power Distribution System Module 17plus

**Slim – effective - stylish**



# Technical Information

## Power Distribution System Module 17plus

The new E-T-A power distribution system Module 17plus offers maximum safety and flexibility for all manufacturers of control cabinets. In addition it helps to save time both during initial installation and routine maintenance. The Module 17plus features spring-loaded terminals which are vibration-proof, maintenance-free and require only minimal wiring time.

Their excellent clamping force provides perfect and durable connection. Supply feed is via plug-in distribution busbars.

The Module 17plus has integral bus connections for signal contact functions and is suitable for accommodating E-T-A circuit breaker types 2210, 3600 and 3900, the electronic circuit breaker type

ESS20 as well as the E-T-A solid state remote power controller E-1048-7..

The plug-in design of these E-T-A devices facilitates their replacement, even with the system live.

### Technical data

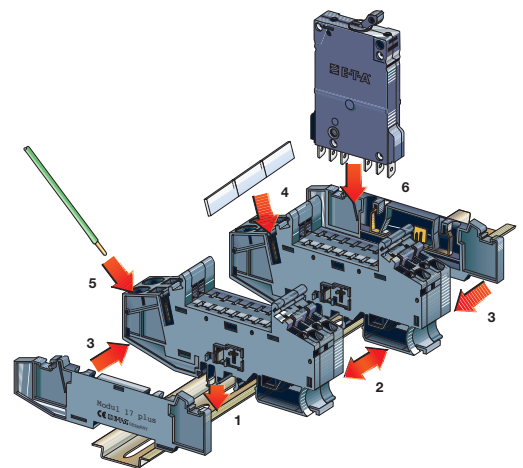
Terminals	spring-loaded terminals
Rated voltage	AC 433 V; DC 65 V
Current rating range	LINE feed max. 50 A LOAD output max. 25 A
Distribution busbar	$I_{max}$ 50 A

### Installation

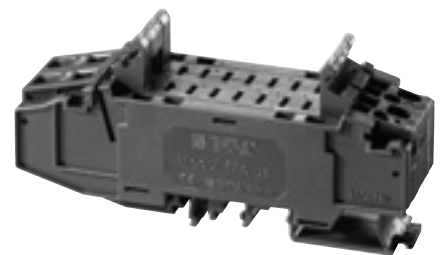
- 1 Snap modules onto DIN hat rail
- 2 Push modules together (side-by-side)
- 3 Snap on right- and left-side terminal blocks
- 4 Cut busbar to required length and fit on supply side of the modules
- 5 Connect line feed with spring-loaded terminals
- 6 Plug in circuit breakers

### Features and Benefits

- Narrow profile minimises space required
- Spring-loaded terminals reduce installation cost
- Quick installation through pre-wired signalisation
- Modular design for long-term flexibility
- Track mountable on all standard rails
- Ease of CBE replacement, even with power on



Installation example Module 17plus



Power Distribution System Module 17plus



E-T-A Elektrotechnische Apparate GmbH  
D-90518 Altdorf · Industriestraße 2-8  
Tel. +49 (0 91 87)10-0 · Fax +49 (0 91 87)10-397  
E-Mail: info@e-t-a.de · www.e-t-a.com